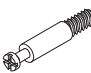

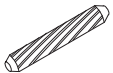



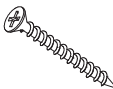
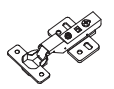


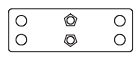


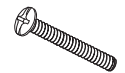
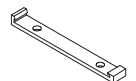
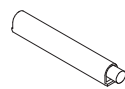


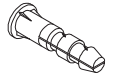



Claremont Entertainment Unit

Assembly Instructions

Thank you for your purchase.
Please follow the instructions below for correct assembly.

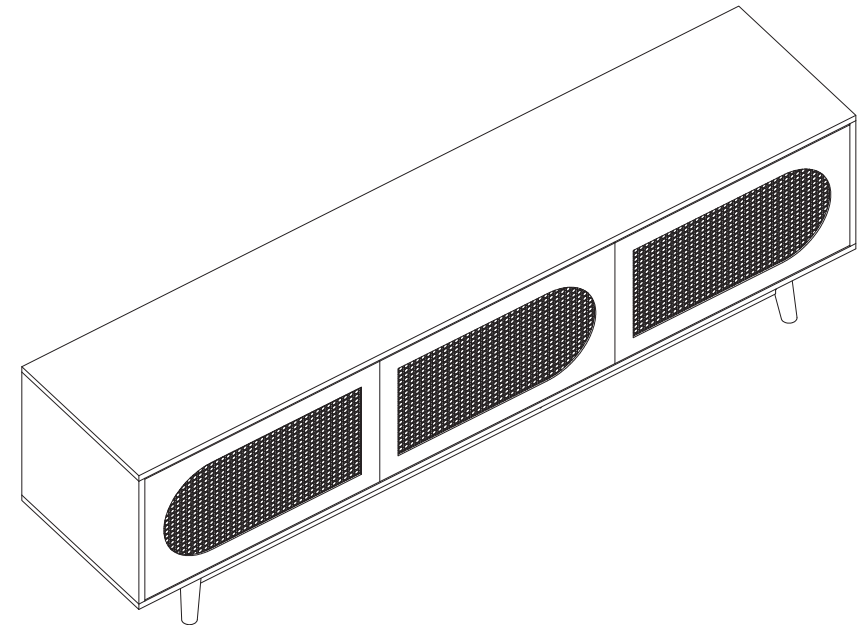
mocka

A  bolt x12	B  nut x12	C  dowel x26	D  3"12 screw x42	E  4"25 screw x16	F  4"35 screw x10
G  4"45 screw x16	H  hinge x6	I  3"14 screw x12	J  wedge x12	K  plate x1	L  6"12 screw x4
M  foot x1	N  6"50 screw x8	O  clip x3	P  spacer x3	W  washer x4	X  4"14 screw x2
Y  wall plug x2	Z  wall strap x2	Hardware Supplied			



Phillips & Flathead screwdrivers required.

For quicker assembly, we recommend the use of a power drill on a low-speed setting.

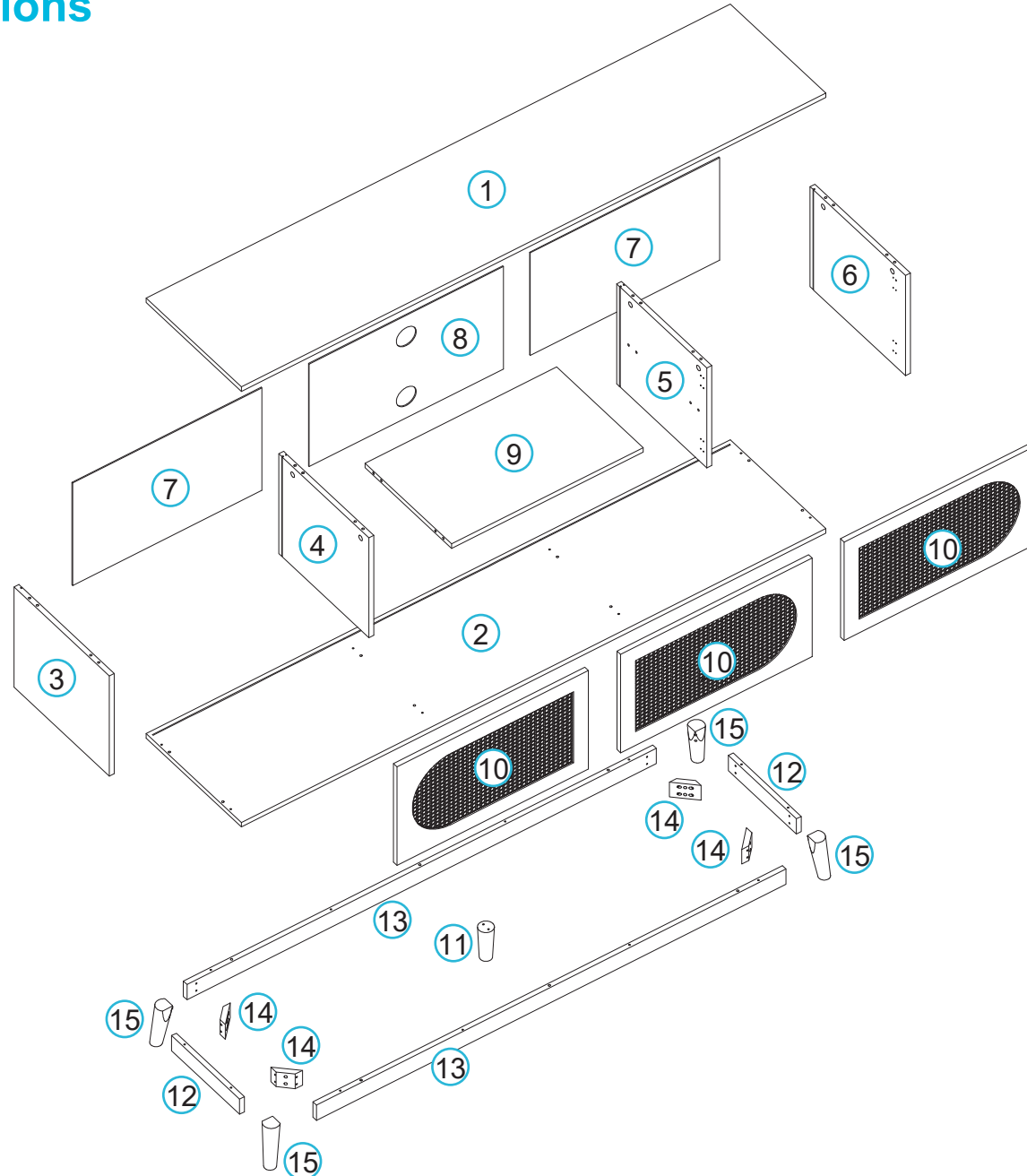


WARNING: Any furniture that is not anchored to a wall has the potential to tip over in certain circumstances, ie. if a child attempts to climb on the furniture or in the event of an earthquake. Accordingly, we recommend that all furniture is anchored to a wall. We supply a free safety wall anchor with all furniture sold and we recommend these are used to prevent your product tipping. The fixing device provided should fit most wall types, but please note that different wall materials may require different fixing devices from those supplied.

Claremont Entertainment Unit

Assembly Instructions

mocka

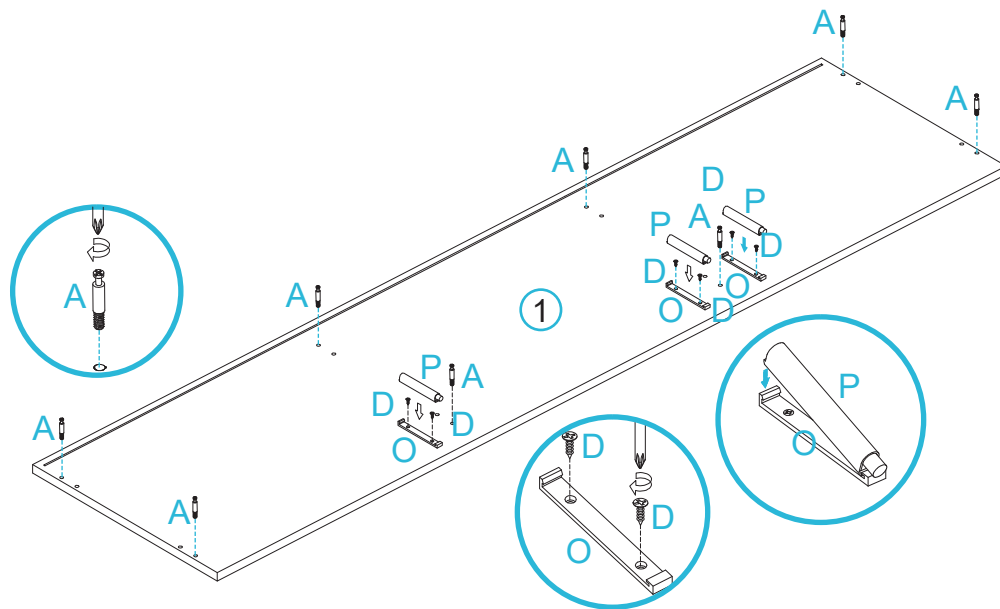


Claremont Entertainment Unit

Assembly Instructions

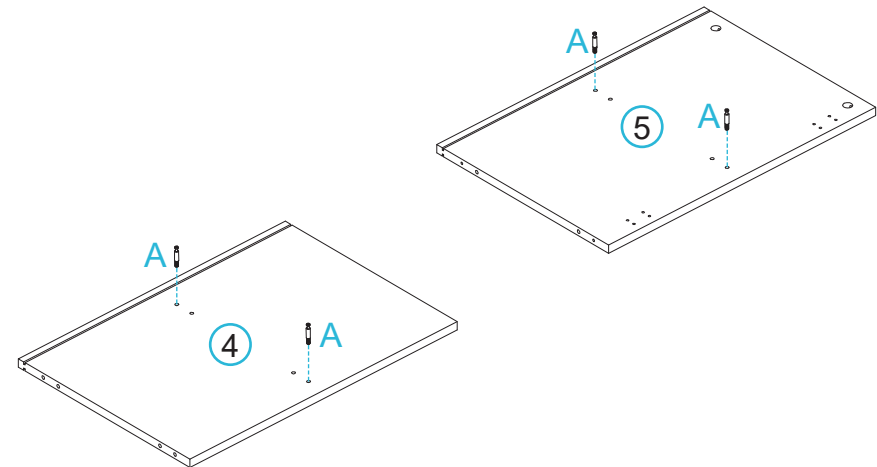
mocka

1



Attach 8 x bolts (A), 2 x spacer (P), 2 x clip (O) to panel [1] and secure with 4 x screws (D). Tighten with a screwdriver.

2



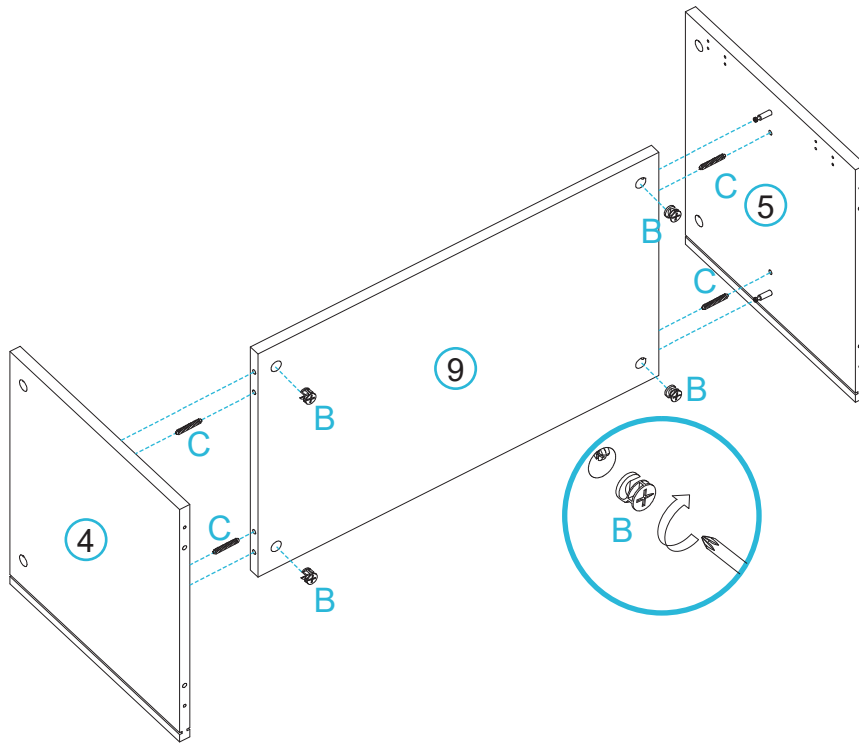
Attach 4 x bolts (A) to panels [4] and [5] as shown. Tighten with a screwdriver.

Claremont Entertainment Unit

Assembly Instructions

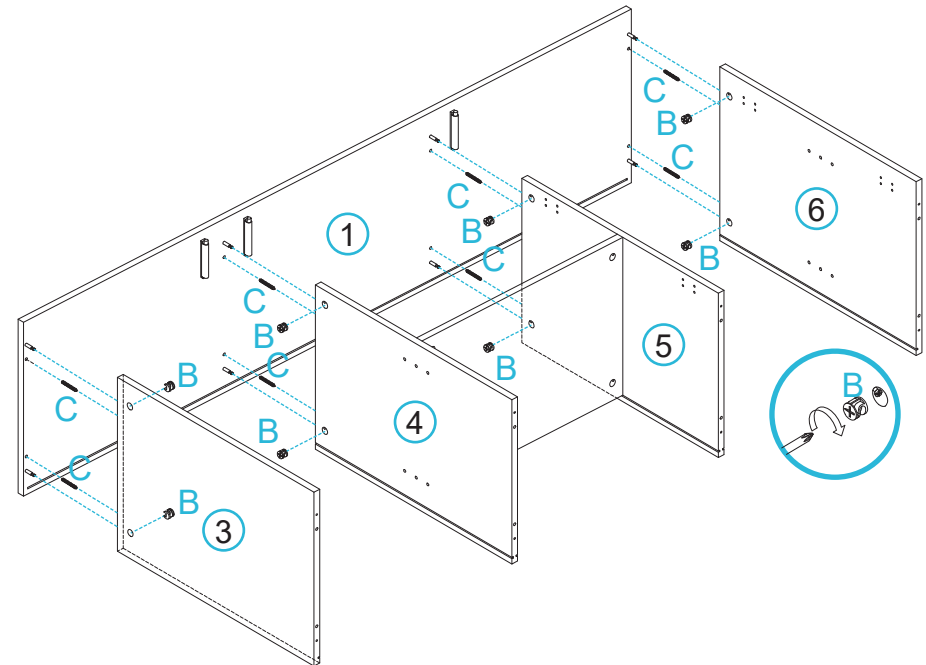
mocka

3



Attach panels [4] and [5] to panel [9] and secure with 4 x dowels (C) and 4 x nuts (B). Tighten with a screwdriver.

4



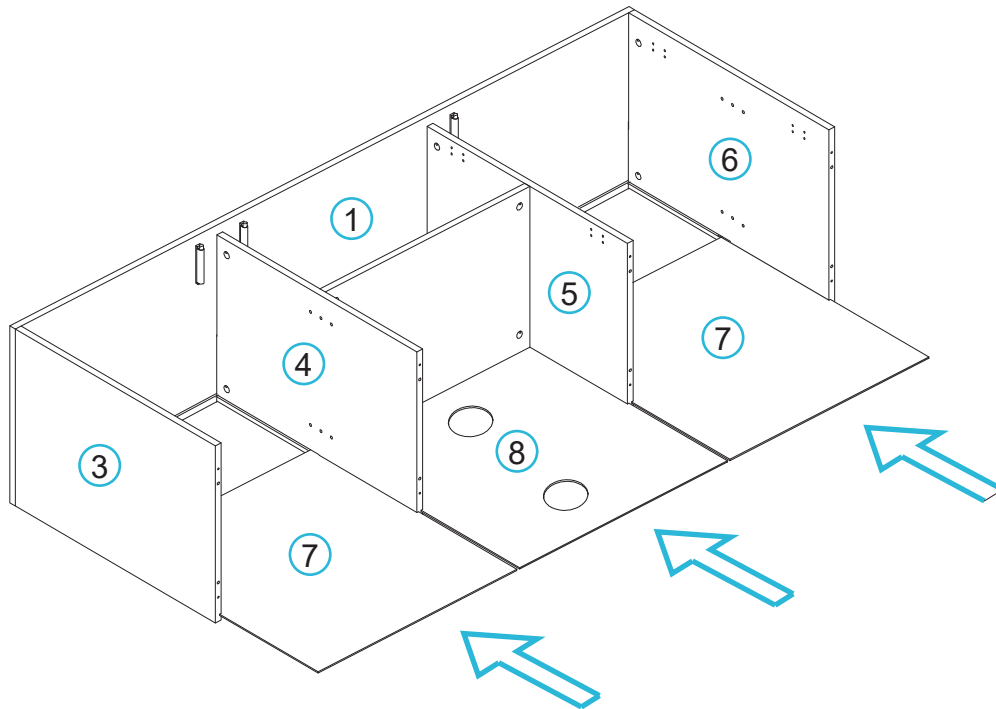
Attach panels [3], [4], [5] and [6] to panel [1] and secure with 8 x dowels (C) and 8 x nuts (B). Tighten with a screwdriver.

Claremont Entertainment Unit

Assembly Instructions

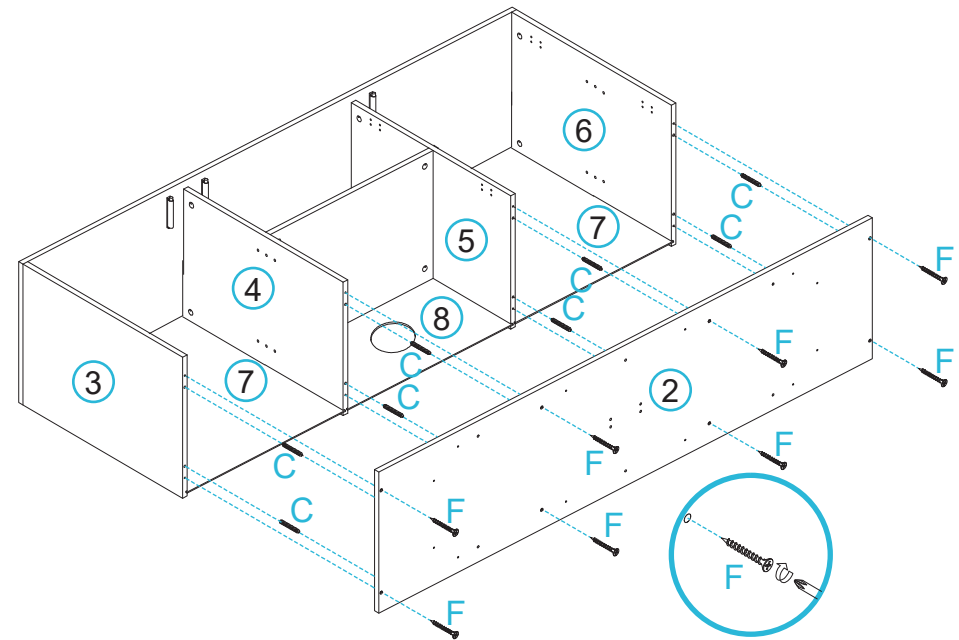
mocka

5



Slide panels [7] and panel [8] into position as shown.

6



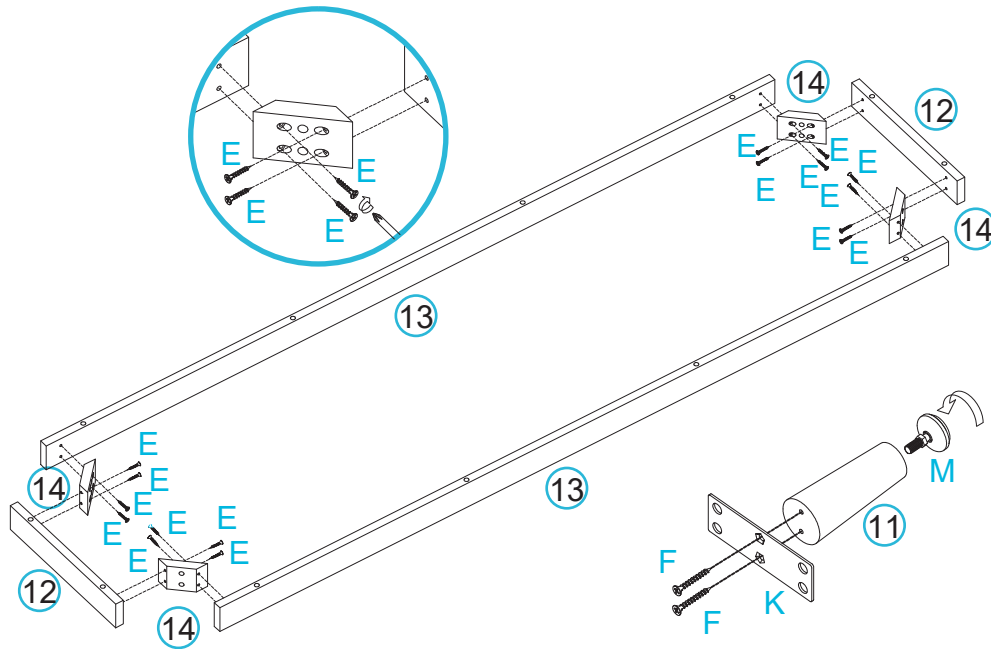
Attach panel [2] to assembled frame and secure with 8 x dowels (C) and 8 x screws (F). Tighten with a screwdriver.

Claremont Entertainment Unit

Assembly Instructions

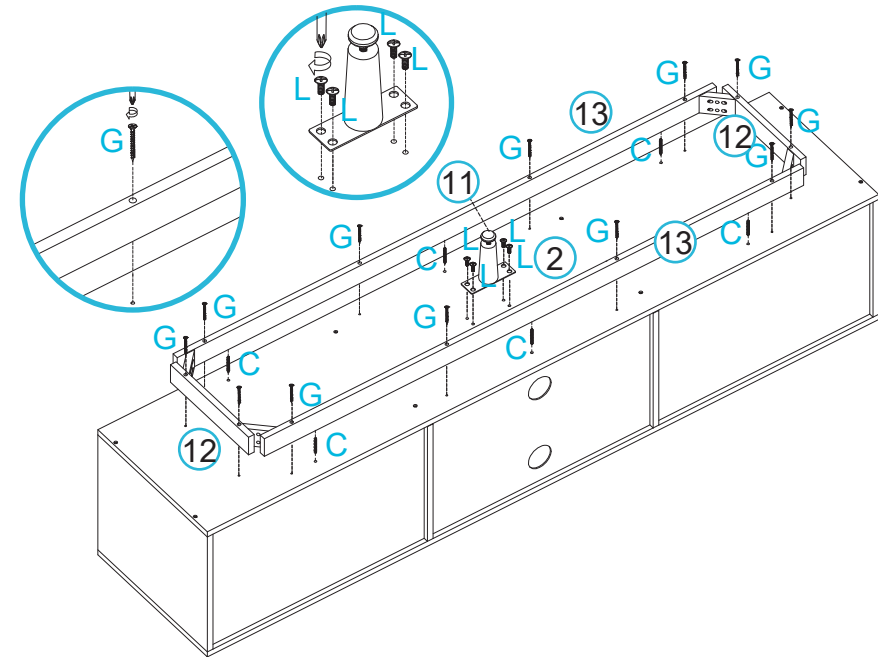
mocka

7



Attach panels [12], [13] and [14] together as shown and secure with 16 x screws (E). Attach 1 x plate (K) and 1 x foot (M) to panel [11] and secure with 2 x screws (F). Tighten with a screwdriver.

8



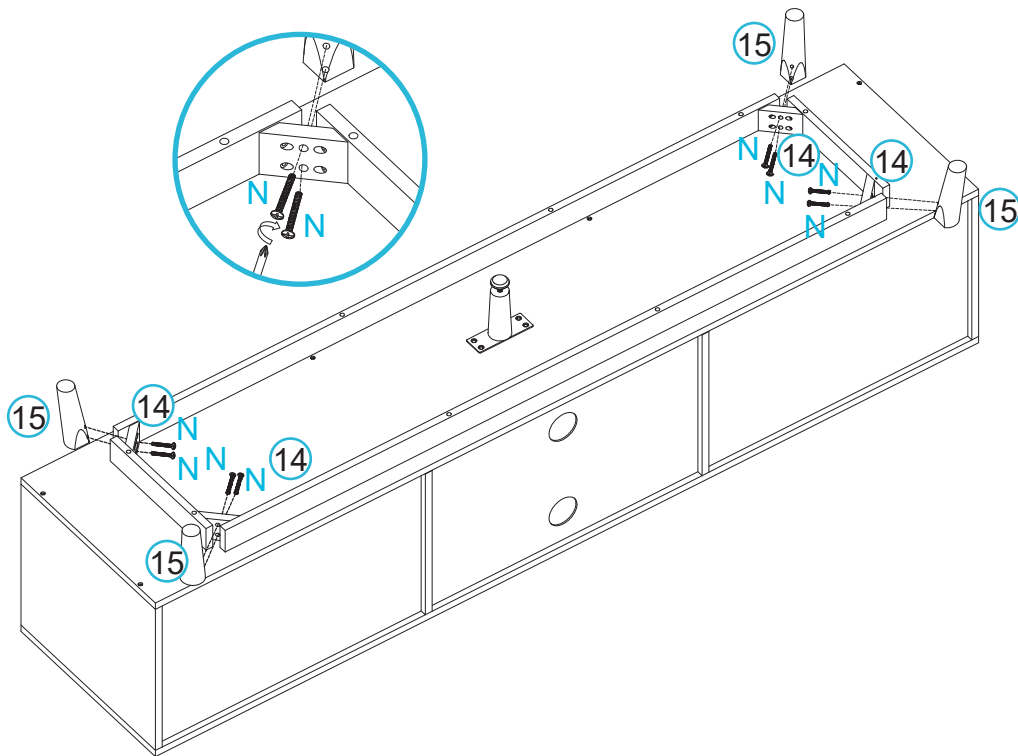
Attach assembled frames together as shown and secure with 6 x dowels (C) and 12 x screws (G). Attach leg to assembled frame and secure with 4 x screws (L). Tighten with a screwdriver.

Claremont Entertainment Unit

Assembly Instructions

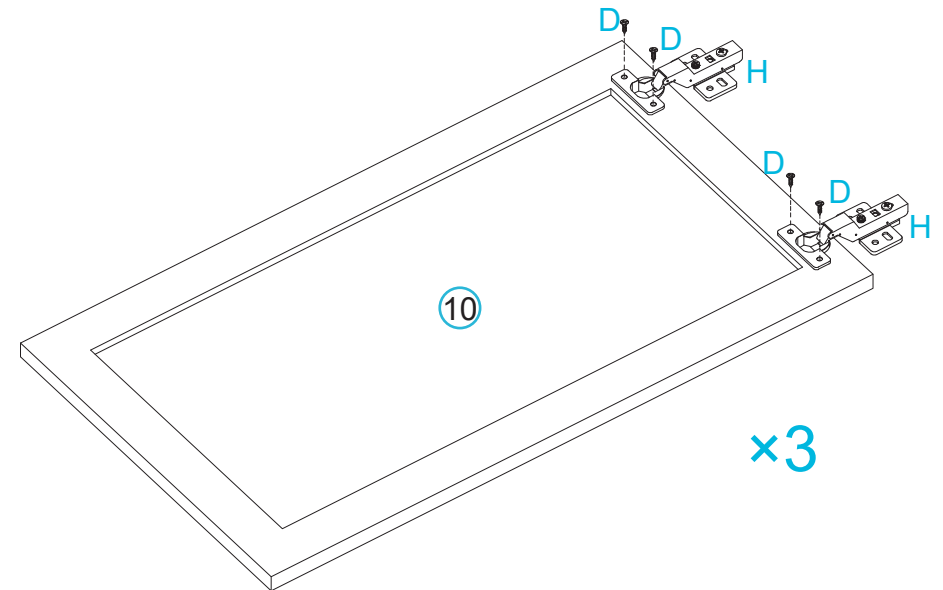
mocka

9



Attach 4 x legs [15] and 4 x wedges [14] to assembled frame and secure with 8 x screws (N). Tighten with a screwdriver.

10



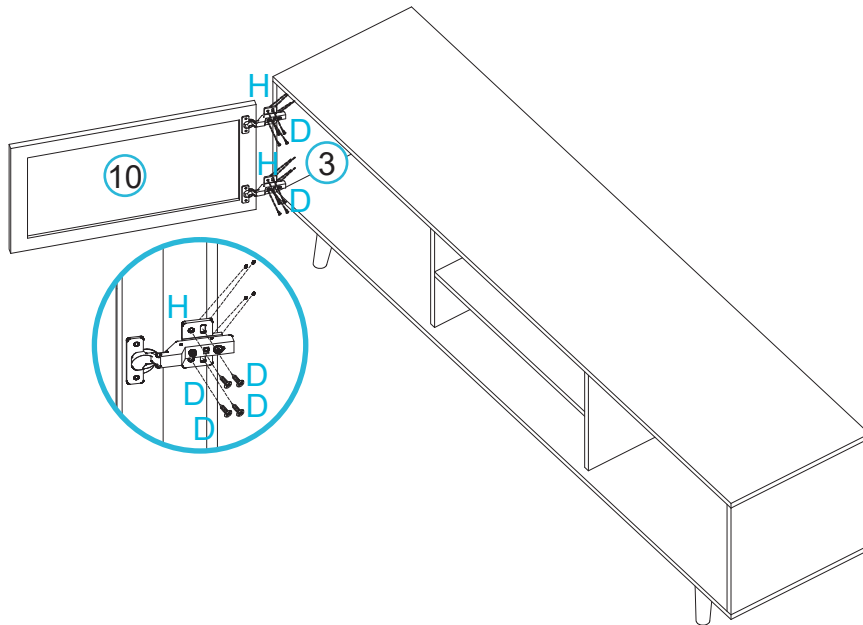
Attach 2 x hinges (H) to panel [10] and secure with 4 x screws (D). Tighten with a screwdriver.

Claremont Entertainment Unit

Assembly Instructions

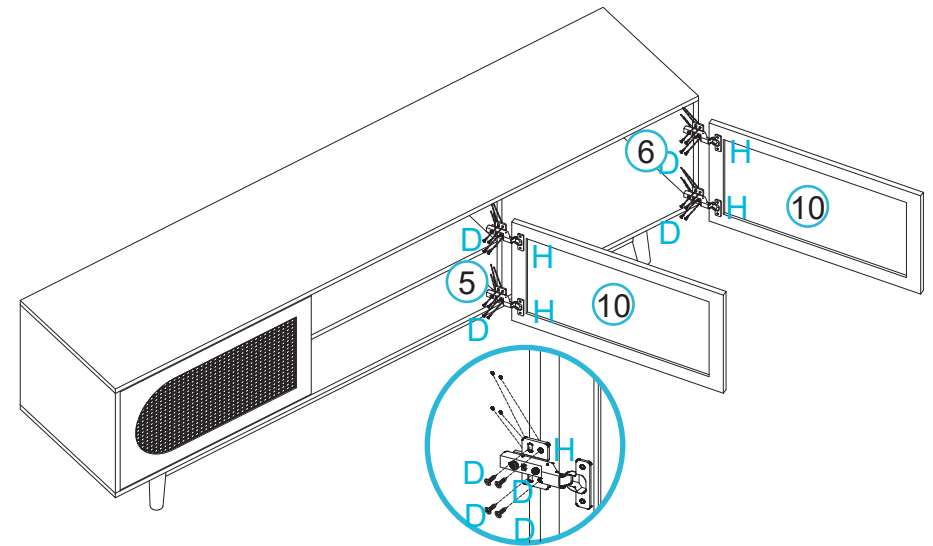
mocka

11



Attach assembled frames together and secure with 2 x hinges (H) and 8 x screws (D). Tighten with a screwdriver.

12



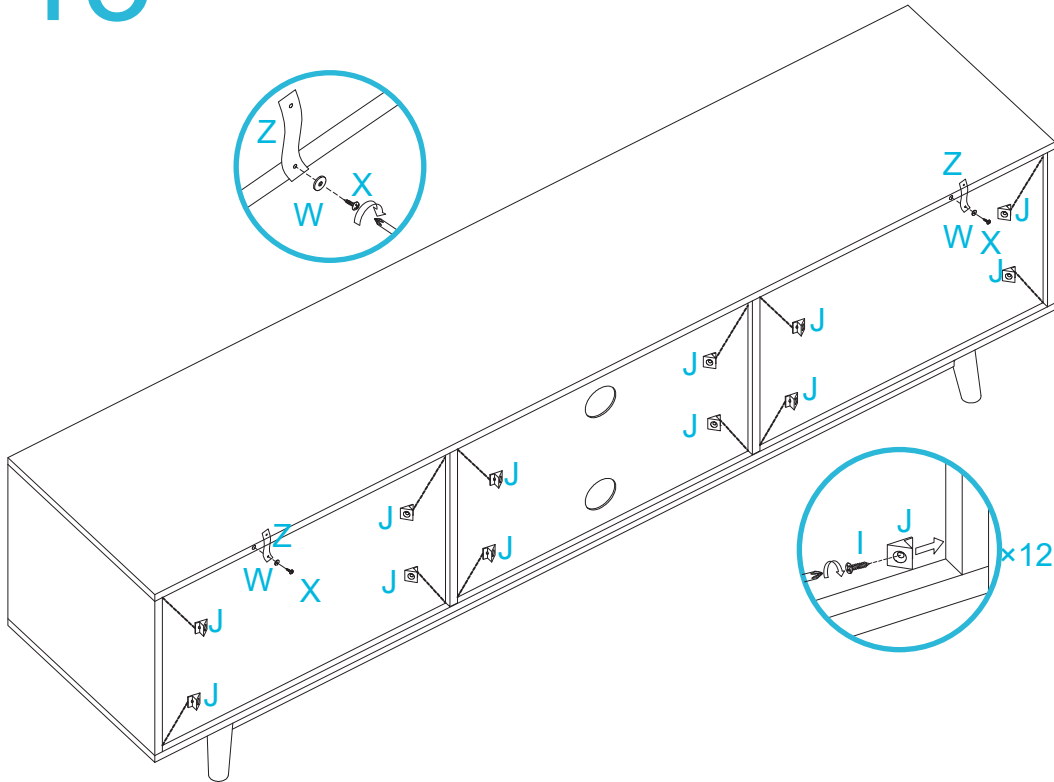
Attach assembled doors [10] to frame as shown and secure with 16 x screws (D). Tighten with a screwdriver.

Claremont Entertainment Unit

Assembly Instructions

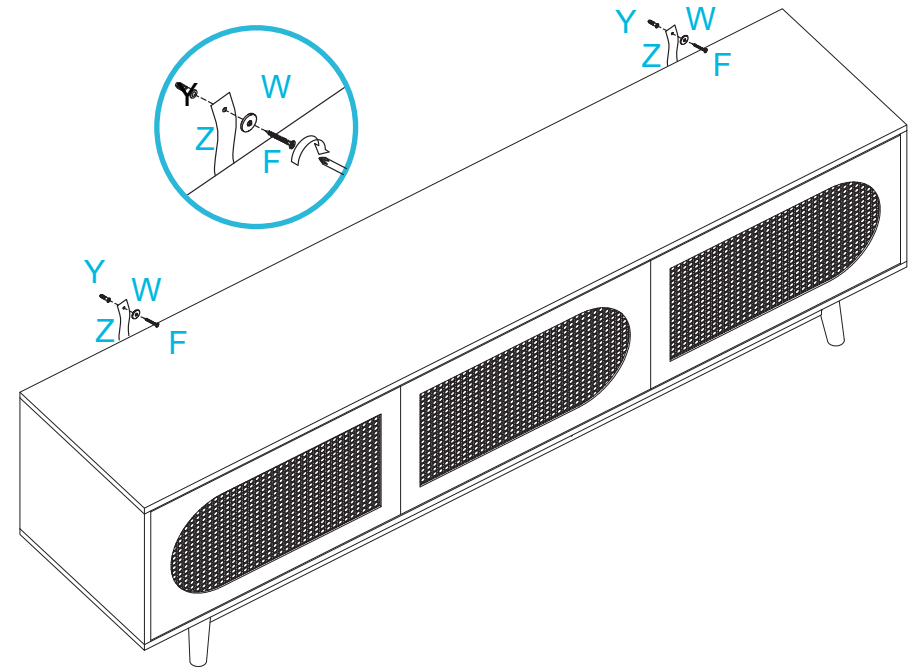
mocka

13



Attach 12 x wedges (J) as shown and secure with 12 x screws (I). Attach 2 x safety straps (Z) and secure with 2 x washers (W) and 2 x screws (X). Tighten with a screwdriver.

14



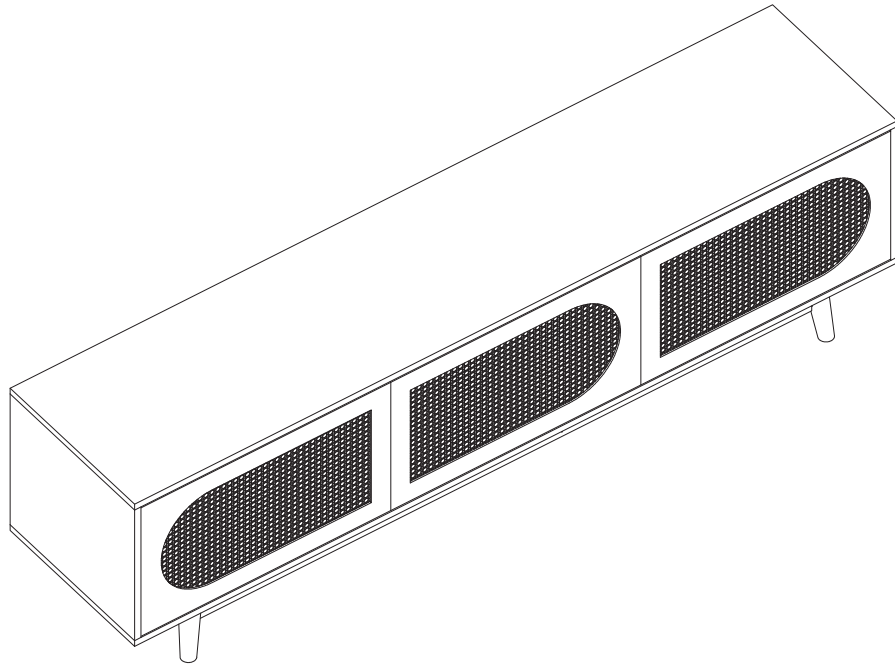
Once assembled lift furniture into place, do not drag. Use a drill to create a small hole lining up with the top of the 2 x safety straps (Z). Fasten to the wall using 2 x wall plugs (Y), 2 x screws (F) and 2 x washers (W). Ensure unit is balanced and steady before use.

Claremont Entertainment Unit

Assembly Instructions

mocka

15



You're done, enjoy!